

ILLUMINEX

12" Slim Panel Downlight

The first slim panel with a 1/4" recess!



FEATURES

12" 24W 2640lm

Type IC rated (direct contact with insulation)

Energy Star, cETLus listed

- Dimmable
- 50,000 hour life
- 24W replaces 215W halogen
- Air-tight aluminum housing with PMMA lampshade in white finish
- Glare-free polycarbonate diffused lens
- Suitable for damp locations
- Quick & easy installation
- No flicker, mercury free, instant on
- 5-year warranty

APPLICATION

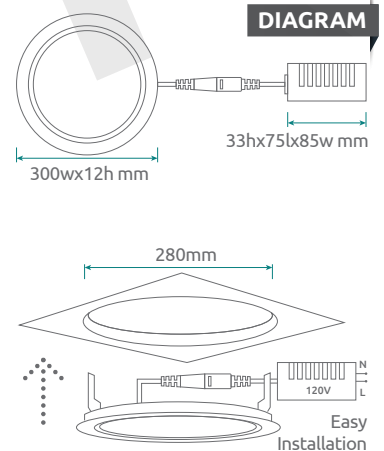
- Offices
- Retail
- Museum
- Hospitality
- Commercial
- Lighting showroom

INSTALLATION

- Recessed
- Insulated/drop ceilings
- Fits under studs and in narrow plenums

ADDITIONAL INFO

- White/Nickle Trim Avail.
- Operating Temperature -10°C ~+40°C



| ORDER CODE | ENERGY STAR LISTING CODE | DESCRIPTION | WATTS | VOLT | LUMENS | CCT(K) | LIFE HRS | BEAM ANGLE | CRI | IP | PF | MOL (MM) | MOUNT SIZE | CASE QTY. |
|------------|--------------------------|---------------------------------|-------|----------|--------|--------|----------|------------|-----|----|------|----------|------------|-----------|
| L3512-241R | YG-YGCL-24X-ETL(3000K) | ILLX SLMP 12" R 24W 3K 1980L WH | 24 | 110-120V | 2640 | 3000 | 50,000 | 180° | 80+ | 44 | 0.98 | 300 | 280 | 10 |
| L3512-242R | YG-YGCL-24X-ETL(4000K) | ILLX SLMP 12" R 24W 4K 1980L WH | 24 | 110-120V | 2640 | 4000 | 50,000 | 180° | 80+ | 44 | 0.98 | 300 | 280 | 10 |
| L3512-243R | YG-YGCL-24X-ETL(5000K) | ILLX SLMP 12" R 24W 5K 1980L WH | 24 | 110-120V | 2640 | 5000 | 50,000 | 180° | 80+ | 44 | 0.98 | 300 | 280 | 10 |

Distributed by



Toronto | Calgary | Halifax

Tel: 1-905-264-1125 Toll Free: 1-800-361-7820 Fax: 1-905-264-1175

Email: information@interadwes.com | Website: www.interadwes.com

Head Office: 1-180 New Huntington Road, Vaughan, ON L4H 0P5

NOTE: Preliminary specifications. Subject to change without notice.