



# 100W LED Floodlight



## Bright Light, Made to Last!



### FEATURES

**100W - 10000 Lumens**

**DLC, cUL listed**

**50,000 hour life**

- 75+ CRI
- 1PC Integration Bridgelux SMD LED
- Aluminum body with Tough Glass
- Water resistant IP65
- Suitable for outdoor usage
- No flicker, mercury free, instant on
- 5-year warranty

### APPLICATION

- Street lighting
- Advertising signage
- Building outdoors
- Playground

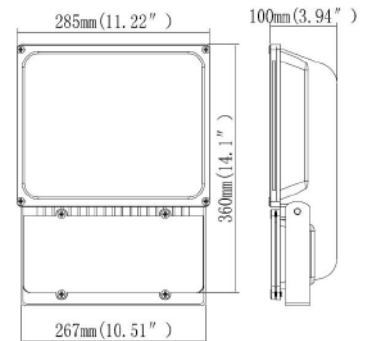
### INSTALLATION

- Wall mount - U-Bracket

### ADDITIONAL INFO

- Operating Temperature -37°C ~+55°C

### DIAGRAM



| ORDER CODE | DESCRIPTION  | WATTS | VOLT | LUMENS | CCT(K) | LIFE HRS | BEAM ANGLE | CRI | WT. (KG/PC) | MOL (CM)         | CASE QTY. |
|------------|--|-------|------|--------|--------|----------|------------|-----|-------------|------------------|-----------|
| L613-1004G | FLOOD 100W 5700K 10000LM 347V Alu Glass CL Wall Mount IP65 | 100   | 347  | 10000  | 5700K  | 50,000   | 120°       | 75+ | 5.2         | 47.5x32.5x16.5CM | 4         |

Distributed by



Toronto | Calgary | Halifax

Tel: 1-905-264-1125 Toll Free: 1-800-361-7820 Fax: 1-905-264-1175

Email: [information@interadwes.com](mailto:information@interadwes.com) | Website: [www.interadwes.com](http://www.interadwes.com)

Head Office: 1-180 New Huntington Road, Vaughan, ON L4H 0P5